

D Series Touch Board

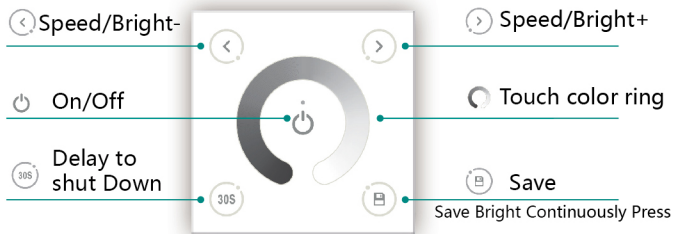
Parameter



MS-D1	
Working Voltage	DC12V-24V
Max Current Load	4A×3CH Max 12A
Grade	4096
Light Adjustable Range	5%-100%
Max Output Power	144W/288W(12V/24V)
Working Temp	-20°C-60°C
Dimensions	L86×W86×H36(mm)
Weight(N.W.)	162g

Button Function

Green Termination



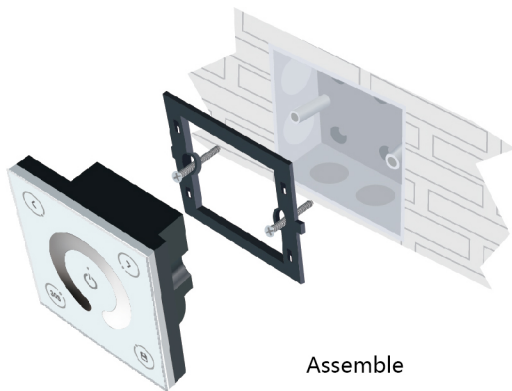
\* Continuously press Turn on/off buzzing



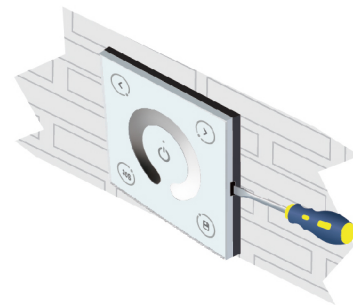
Power Input

Led Light connector

Assembling Method

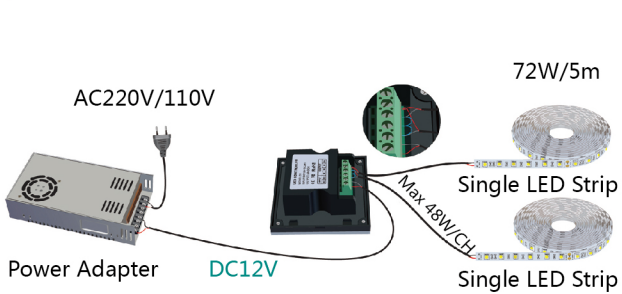


Assemble

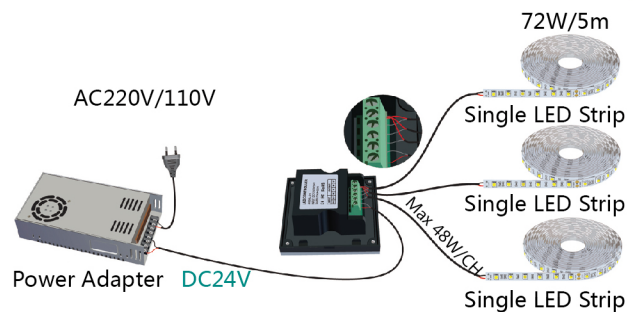


Disassemble

Wiring Diagram



Connect with 12V led strip,Max 48W/ch(12V)



Connect with 24V led strip,Max 96W/ch(24V)